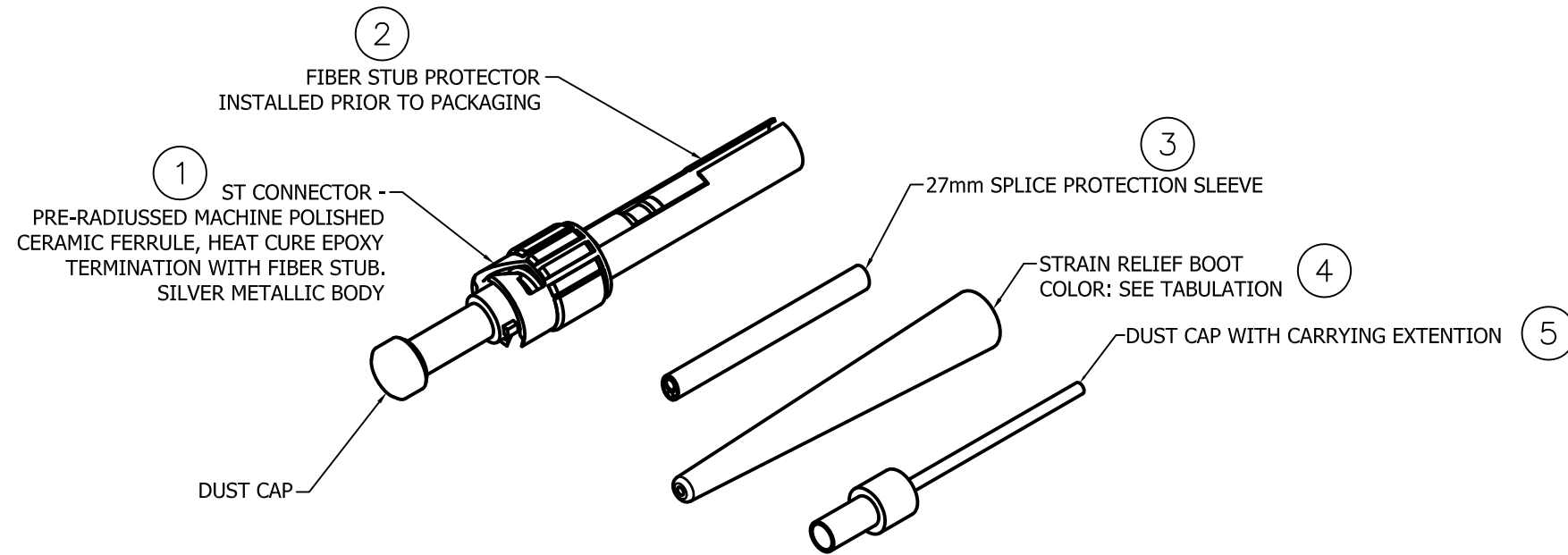
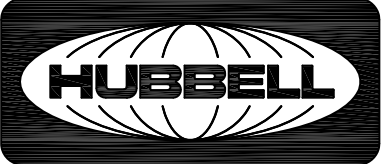


ITEM NO.	DESCRIPTION	QTY.	CATALOG NUMBER	HOUSING COLOR	BOOT COLOR	FIBER TYPE
1	ST FUSION SPLICE CONNECTOR	6	FCSTF900M626PK	BEIGE	BEIGE	62.5/125 OM1 MULTIMODE
2	CLEAVE PROTECTOR	6	FCSTF900M506PK	BEIGE	BLACK	50/125 OM2 MULTIMODE
3	SPLICE SLEEVE	6	FCSTF900M50G6PK	BEIGE	AQUA	50/125 OM3 MULTIMODE
4	STRAIN RELIEF BOOT	6	FCSTF900MSM6PK	BLUE	WHITE	9/125 OS2 UPC SINGLEMODE
5	DUST CAP WITH CARRYING EXTENSION	6				
6	INSTRUCTION SHEET	1				



- NOTES:
1. INSERTION LOSS SHALL BE 0.3dB MAX FOR SINGLEMODE AND 0.4dB MAX FOR MULTIMODE
 2. RETURN LOSS SHALL BE 35dB (TYPICAL) FOR MULTIMODE, >55dB FOR UPC SINGLEMODE, AND >65dB FOR APC SINGLEMODE.
 3. OM3 FIBER TO BE RATED FOR 10Gb/s TRANSMISSION OVER 300 METERS AT 850nm.
 4. SPECIFICATIONS SUBJECT TO CHANGE WITHOUT NOTICE.

Created on AUTOCAD	DIMENSIONING AND TOLERANCE PER ANSI Y14.5M-1982 UNLESS OTHERWISE SPECIFIED, DIMENSIONS ARE IN INCHES (MM). TOLERANCES .XX = ±.01 (.25) .XXX = ±.005 (.127) .XXXX = ±.0025 (.0635) ANGLE TOL ±1'		PROJECT REFERENCE: 2012-003		 Hubbell Premise Wiring HUBBELL INCORPORATED (Delaware) 14 Lord's Hill Road, Stonington, Connecticut 06378
			MATERIAL: SEE NOTES		
	IN ACCEPTING OUR DRAWINGS, BLUEPRINTS, OR SUPPORTING DOCUMENTATION FOR QUOTATION OR OTHER PURPOSES, YOU AGREE NOT TO DISCLOSE TO OTHERS THE IDEAS, INFORMATION, OR DESIGNS SHOWN HEREIN, AND THAT YOU WILL MAKE NO USE OF SAME WITHOUT PERMISSION		DRAWN BY: C. GRIBBLE 6/27/12		TITLE: FIBER OPTIC FUSION SPLICE CONNECTOR ST
			CHECKED BY:		SIZE: C
		APPROVED BY:		DRAWING NO.: HWS13050C	
				SCALE: 1.5/1	
				SHEET 1 OF 1	
				REV. 2	

REV.	ECN	DATE	DESCRIPTION	CHG BY	APPD BY
2	18109	04/30/13	CORRECTED INSTR SHEET QTY	MMA	